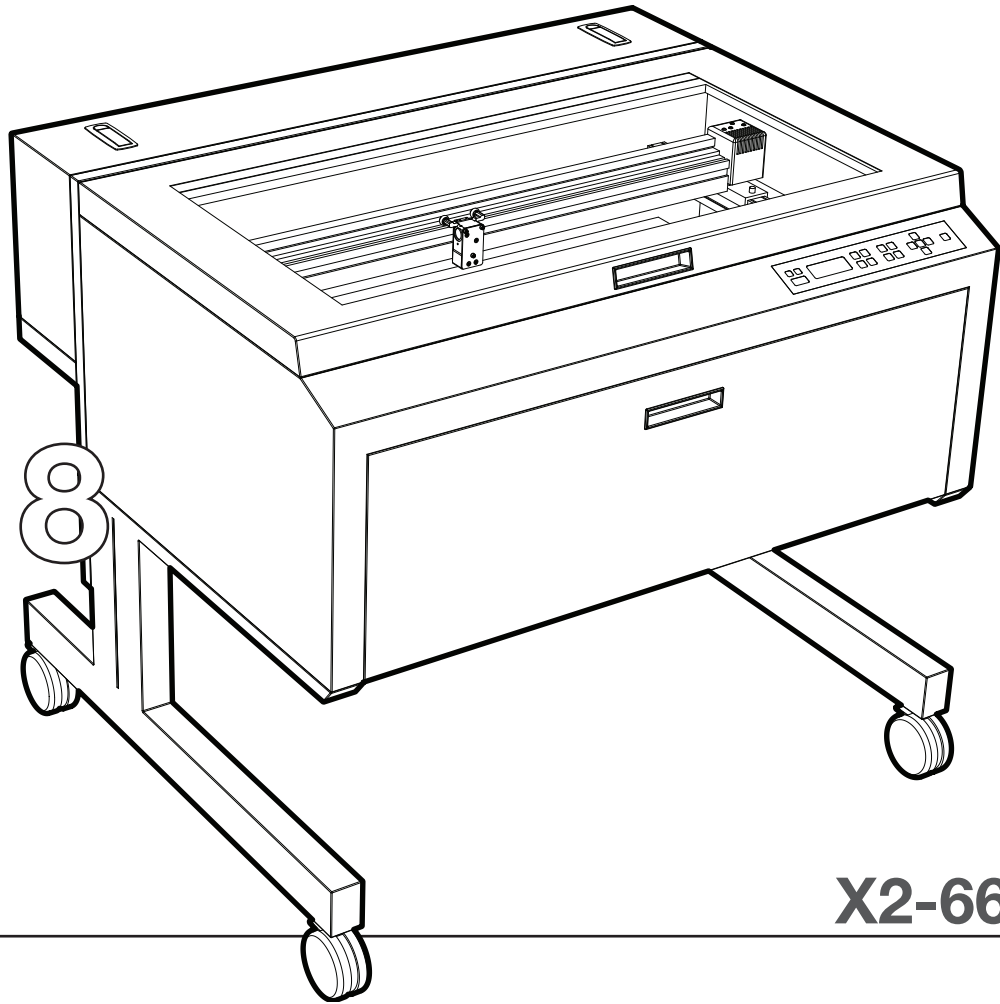


Professional Series

32x18



Features:

X2-660 ≡

Free-standing unit with integrated cart, motorized Z-axis, auto focus, X-Y beam positioning system with RACER™ motion technology, self-adjusting spring-loaded sealed bearings, stationary processing table, Multi-beam Combiner™ for Quick Change Laser Cartridges™ shielded optics, interchangeable focusing optics, flash upgradeable electronics, job complete indicator, system status indicator, relocatable origin, enhanced vector cutting, 3D engraving and rubber stamp mode.

- Dual laser advantage
- Robust blend of size, speed and power flexibility
- 32" x 18" work area
- Patented Integrated Computer-Controlled Beam Combiner™ for user-selectable laser power density
- Patented Cross-Platform Compatibility with all ULS air-cooled Quick Change Laser Cartridges™
- Patented 10-120 watt Rapid Reconfiguration Capability™
- RACER™ Motion Technology for fast job processing
- Complete selection of productivity accessories

www.ulsinc.com

UNIVERSAL
LASER SYSTEMS INC.

Laser Compatibility	UL-10, -25, -30, -35, -40, -45, -50, -55 or -60 watt air-cooled, RF driven, sealed CO ₂ laser(s) in the pre-aligned Quick Change Cartridge™. Accommodates up to two laser cartridges in any power combination.
Available Accessories	Rotary fixture, cutting table, lens kits, coaxial air assist with optics protection, dual head, USB connection kit and ethernet connection kit.
Focusing Optics	Standard 2.0" (50mm) focal length lens in enclosed lens cartridge; optional lenses available.
Power Control	Digital power control continuously variable from 0 to 100%, automatic proportional pulsing and color linked power settings.
Work Area	32" x 18" (812 x 457mm)
Table Size	37" x 23" (939 x 584mm)
Maximum Part Size	37" wide x 23" deep x 9" thick (939 x 584 x 228mm)
Computer Interface	Parallel port standard. USB and ethernet optional. Compatible with Windows® 2000/XP and Mac OS®9.
Memory Buffer	Intelligent buffer with automatic data compression stores up to 99 files with all settings; files are addressable and repeatable in any order and may be deleted after completion to free memory; buffer can be switched to single file mode.
Display Panel	LCD display shows current file name, laser power, engraving speed, run time, files loaded into memory buffer, setup and diagnostic menus.
Operating Modes	Optimized raster or vector engraving, vector cutting or combined vector/raster processes.
Dimensions	39" high x 44" wide x 37.5" deep (990 x 1117 x 952mm)
Weight	Approximately 345 lbs (156kg)
Safety	Meets CDRH and EN60825-1 requirements for Class 1 laser safety enclosure for CO ₂ laser and Class 3R for red pointer.

Electrical	Single phase 220 VAC, 15 amp, 50/60 Hz
Exhaust	Outside exhaust required. Two 4" (102mm) connections requiring 500 CFM total (250 at each connection) air flow at a static pressure of 6 inches of water (425m ³ /hr at 1.5kPa each connection).
Cooling	Air-cooled, ambient operating range of 50°-95°F (10°-35°C).

WARNING: UNIVERSAL LASER SYSTEMS PRODUCTS ARE NOT DESIGNED, TESTED, INTENDED OR AUTHORIZED FOR USE IN ANY MEDICAL APPLICATIONS, SURGICAL APPLICATIONS, MEDICAL DEVICE MANUFACTURING, OR ANY SIMILAR PROCEDURE OR PROCESS REQUIRING APPROVAL, TESTING, OR CERTIFICATION BY THE UNITED STATES FOOD AND DRUG ADMINISTRATION OR OTHER SIMILAR GOVERNMENTAL ENTITIES. SHOULD THE BUYER USE UNIVERSAL LASER SYSTEMS PRODUCTS FOR ANY SUCH UNINTENDED OR UNAUTHORIZED APPLICATION, ALL WARRANTIES REGARDING THE UNIVERSAL LASER SYSTEMS PRODUCTS SHALL BE NULL AND VOID. FURTHER, THE BUYER SHALL HAVE NO REMEDY AGAINST UNIVERSAL LASER SYSTEMS AND ITS OFFICERS, EMPLOYEES, SUBSIDIARIES, AFFILIATES AND DISTRIBUTORS FOR, AND THE BUYER SHALL INDEMNIFY AND HOLD THOSE PARTIES HARMLESS AGAINST, ANY AND ALL CLAIMS, COSTS, DAMAGES, EXPENSES AND REASONABLE ATTORNEY FEES ARISING OUT OF, DIRECTLY OR INDIRECTLY, ANY CLAIM ASSOCIATED WITH SUCH UNINTENDED OR UNAUTHORIZED USE, INCLUDING BUT NOT LIMITED TO ANY CLAIM BASED ON WARRANTY (EXPRESS OR IMPLIED), CONTRACT, TORT (INCLUDING ACTIVE, PASSIVE, OR IMPUTED NEGLIGENCE), STRICT LIABILITY, PATENT OR COPYRIGHT INFRINGEMENT OR MISAPPROPRIATION OF INTELLECTUAL PROPERTY.



©2004 Universal Laser Systems, Inc. Protected under one or more of U.S. patents 5,661,746; 5,754,575; 5,867,517; 5,881,087; 5,894,493; 5,901,167; 5,982,803; 6,181,719; 6,313,433; 6,342,687. Other U.S. and International patents pending. Specifications subject to change without notice. Windows is a registered trademark of Microsoft, Inc. Mac OS9 is a registered trademark of Apple Computers, Inc.